

430 Family of Handpieces



Innovative Performance Inside An American Classic

Columbia Dentoform® Teaching Solutions
DentalEZ® Equipment
NevinLabs™ Workstations
RAMVAC® Utility
StarDental® Instruments

StarDental® Instrument Solutions

It's What's on the Inside that Counts....

LubeFree

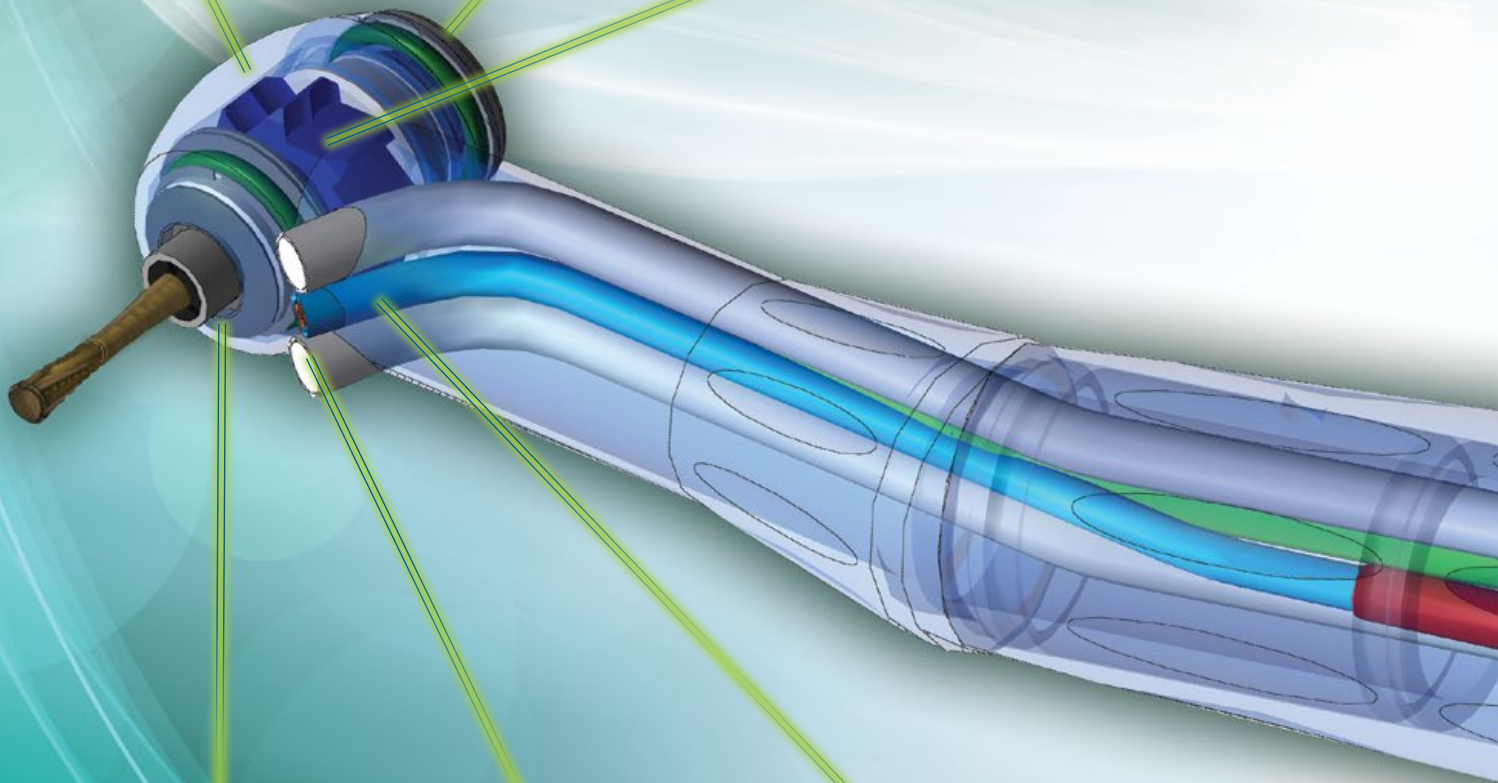
Save hundreds in daily maintenance costs. Average savings \$300.00 per year per handpiece (see back page).

Small Head Design

Size and shape promote superior operator field visibility.

Double Bucket Rotor Design

Dual drive air control maximizes airflow to turbine delivering powerful performance.



Vortex Washer

Unique washer design prevents debris "suck back" into housing preventing turbine damage.

Bifurcated glass

Dual beam glass design prevents shadowing in front of bur (see back page).

Co-axial Water Spray

Optimizes direction of spray and water pressure cooling the bur and flushing operator site.

High Flow Design

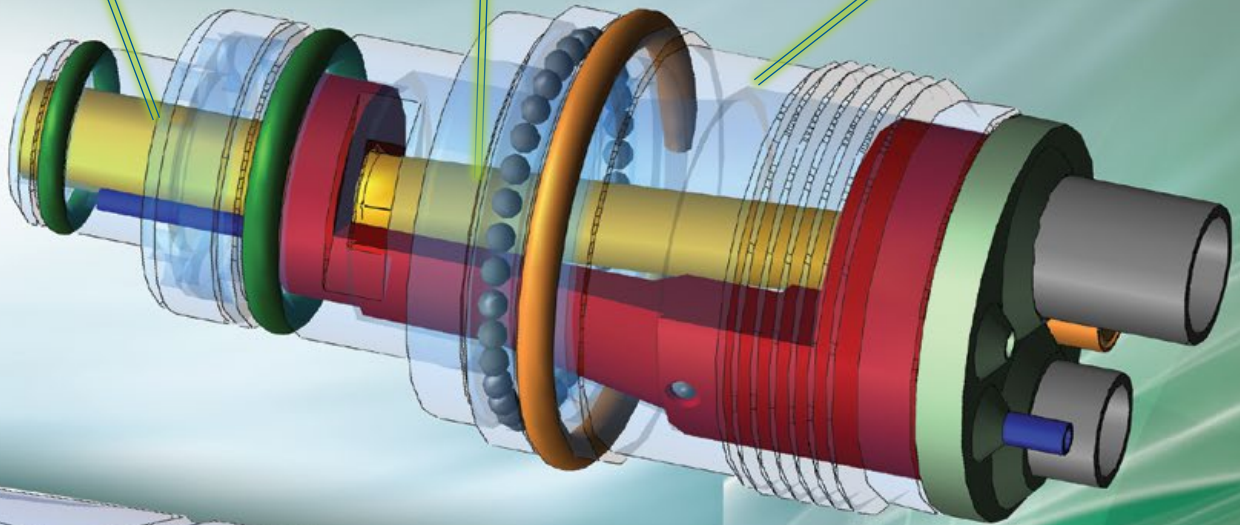
Maximizes drive air flow to the turbine.

Quick Disconnect

Ball bearing design reduces drag causing less wrist strain.

Flexibility

Swivels available in halogen or LED light, and rugged stainless steel or lightweight aluminum construction.



HiFlo® Swivel

100% Stainless Steel Body

Rugged long lasting construction provides durability.

LubeFree 430 SWL®

....Simple Reliability

LubeFree

Save \$300 per year per handpiece on labor and lubricant costs.*

	430 SWL	Competitor
Suggested Retail Price	\$1,147.00**	\$1,300.00
Estimated Purchase Price of Handpiece	\$927.00	\$1,051.00
Cost of Lubrication for 1 Year \$0.20/use 2 times a day 240 days/year	\$0	\$96.00
Staff Time for Lubrication \$16.5/hr National Median wage 3 minute lubrication cycle per handpiece 2 lubrication cycles per day 240 days/year	\$0	\$392.00
Staff Time for Weekly Maintenance*** \$16.5/hr National Median wage 3 minutes per handpiece 50 weeks / year Supplies (cotton tips, alcohol, Junk-out)	\$70.00 \$50.00	–
Total Cost of Handpiece Year 1	\$1,047.00	\$1,539.00
Cost year 2 (turbine)	\$350.00	
Cost year 2 (lubrication)		\$488.00
2 YEAR COST OF OWNERSHIP	\$1,397.00	\$2,027.00

* Over 2 year period. ** 2015 pricing.

*** Assumes weekly cleaning of turbine housing and chuck.

Bifurcated glass

Minimizes bur shadowing.



430 SWL



Competitor with
Single Glass Rod

Flexibility

Available in Fiber Optic and Non Fiber Optic versions. Swivels available in halogen or LED light. Ergonomically designed to reduce wrist stress. Lightweight aluminum body LED Swivel for balanced performance. Autoclavable and non-autoclavable LED options.

